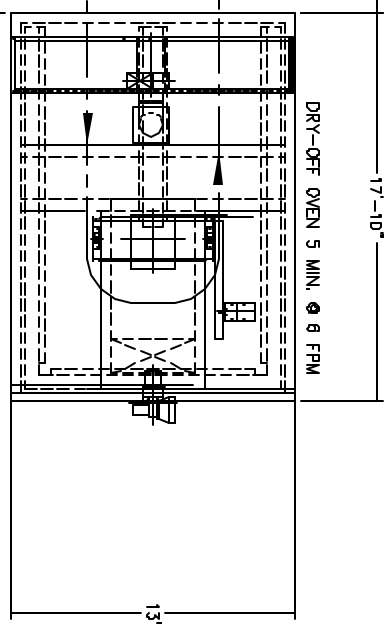


- 3 STAGE WASHER
- 2 PASS DRY-OFF OVEN
- 2 PASS CURE OVEN
- CONVEYOR SPEED 4 FPM TO 8 FPM
- SYSTEM DESIGN AT 6 FPM
- BOOTH BY OTHERS



Revised: 10/20/2011
 10/20/2011
 10/20/2011

NO.	REV.	DATE	DESCRIPTION
1	01/20/11		ISSUE FOR CONSTRUCTION
2	02/01/11		REVISED PER COMMENTS
3	03/01/11		REVISED PER COMMENTS
4	04/01/11		REVISED PER COMMENTS
5	05/01/11		REVISED PER COMMENTS
6	06/01/11		REVISED PER COMMENTS
7	07/01/11		REVISED PER COMMENTS
8	08/01/11		REVISED PER COMMENTS
9	09/01/11		REVISED PER COMMENTS
10	10/01/11		REVISED PER COMMENTS

RAPID ENGINEERING, INC.
 3000 WEST 10TH AVENUE, SUITE 100
 DENVER, CO 80202
 (303) 733-8800
 WWW.RAPIDENGINEERING.COM

POWDER SYSTEM LAYOUT

PROJECT NO: 322
 DATE: 10/20/11
 DRAWN BY: J. BROWN
 CHECKED BY: M. SMITH
 APPROVED BY: R. JONES